

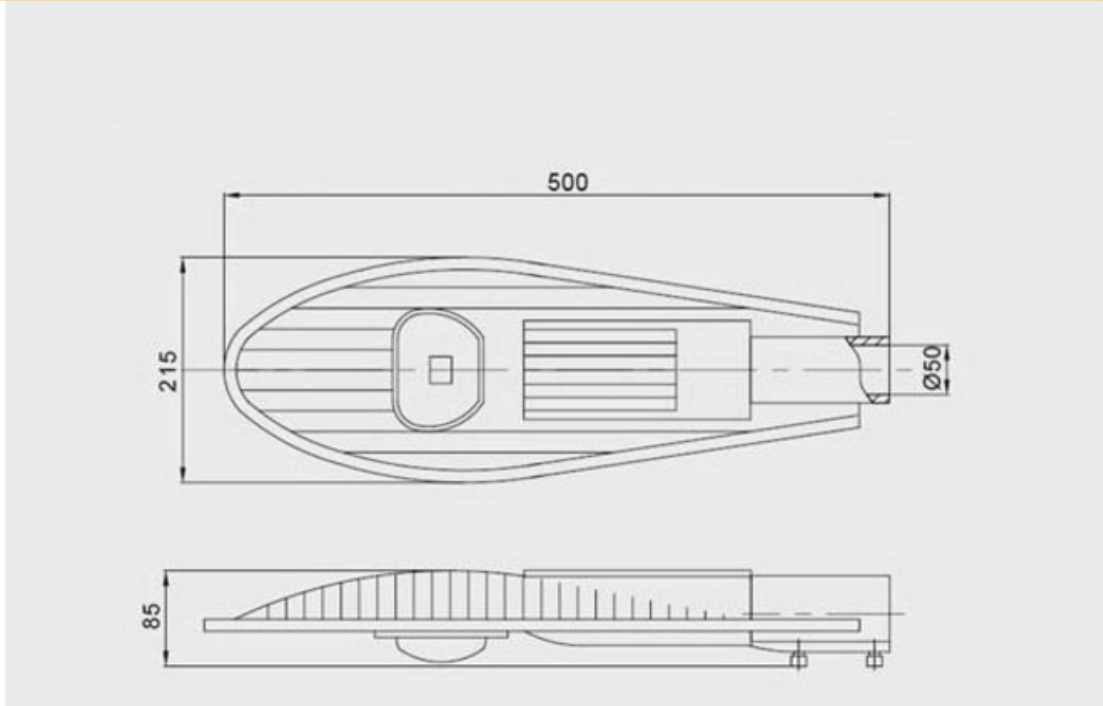


LITELED

Features

- ★ Die casting aluminum housing with phosphate treatment, and power coated finishing
- ★ IP65 rated for external roadway illumination
- ★ High quality glass lens with good light transmission rate
- ★ LED emitter brand can be varied according to requirement
- ★ Equipped with High efficiency and power factor led power supply
- ★ Longlife span over 30000 Hours
- ★ Available housing colors is black,or according to requirement

Size



Power	20W 30W 40W 50W	Luminous Efficiency	90-105LM/W
Power Factor	>0.95	Color Temperature	2800-7000K
Frequency Range	50/60Hz	CRI(Ra)	70
Beam Angle	140*70	Working Humidity	10%-90% RH
Working Temperature	-30~50°C	Mounting Hole	50MM
Lifespan	>30000H	IP class	IP65
Carton Size	54.5X 23X13CM	G/N (KG)	3/2

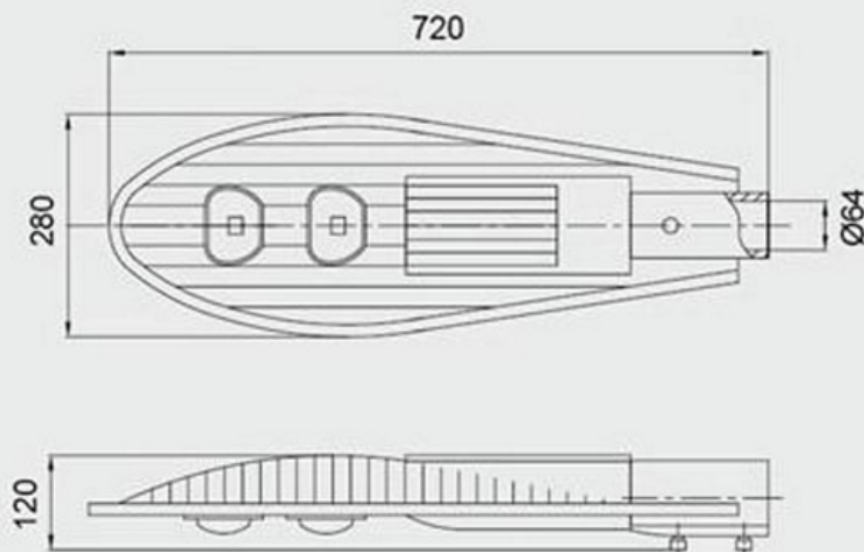


LITELED

Features

- ★ Die casting aluminum housing with phosphate treatment, and power coated finishing
- ★ IP65 rated for external roadway illumination
- ★ High quality glass lens with good light transmission rate
- ★ LED emitter brand can be varied according to requirement
- ★ Equipped with High efficiency and power factor led power supply
- ★ Longlife span over 30000 Hours
- ★ Available housing colors is black,or according to requirement

Size



Power	60W 70W 80W 100W	Luminous Efficiency	90-105LM/W
Power Factor	>0.95	Color Temperature	2800-7000K
Frequency Range	50/60Hz	CRI(Ra)	70
Beam Angle	130°*65	Working Humidity	10%-90% RH
Working Temperature	-30~50°C	Mounting Hole	60MM
Lifespan	>30000H	IP class	IP65
Carton Size	76X30X16CM	G/N (KG)	5.5/4.5